

# MULTICYCLONE ULTRA VAC PORTABLE FILTRATION CART



The MultiCyclone Ultra Vac portable filtration cart is a versatile filtration solution for every service need. It gives you the ability to vacuum your swimming pool, water feature, pond or fountain with a portable pump and filter - without losing valuable water.

- Award winning Multicyclone technology.
- Integrated pleated filter cartridge.
- Extended filter cleaning cycles and increased filter cartridge life span.
- Supastream self-priming pump.
- Powder-coated structural steel trolley with large wheels for easy maneuverability.
- Built in safety protection.

## Dual stage filtration



This Portable Filtration Cart features the award-winning MultiCyclone, which removes up to 80 per cent of the incoming dirt load before it reaches the cartridge filter. It means you can vacuum for up to 5 times longer when compared to similar portable vac systems.

## Simple maintenance

The MultiCyclone is easily cleaned by opening its purge valve. Only 15 litres of water is discharged to cleanse the MultiCyclone.



## Sturdy cart construction

Constructed from strong structural steel tubing and powder coated for protection, capable of lasting many years.

## User-friendly design

Large wheels make it easy to navigate steps and uneven terrain such as gravel and a built-in shelf enables easy access to test kits for service technicians.

The vacuum hose is easily fitted to the quick connect hose adaptors.

## Protective foot pads

Protective foot pads, ensure you don't damage pool surrounds and paving.

## Self-priming pump

Supastream self-priming energy efficient pump equipped with Waterco's innovative secondary seal for extra motor protection.

## Safety protection

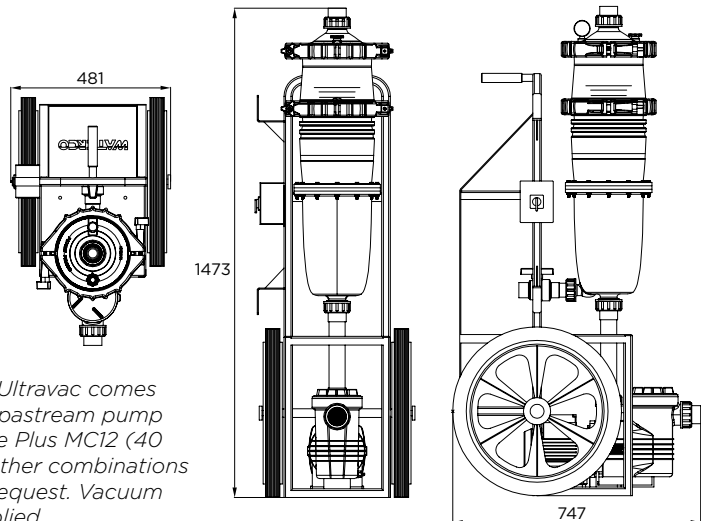
The Ultra Vac comes standard with a 10m power cord while an RCD (residual current device) and isolator provides peace of mind safety protection.

## Pleated filter cartridge

Its pleated filter cartridge is constructed from heavy duty polyester filter fabric with deep pleats for long service life.



## Dimensions (mm)



*Note: Standard Ultravac comes with a 0.5Hp Supastream pump and Multicyclone Plus MC12 (40 ft2 cartridge). Other combinations available upon request. Vacuum hose is not supplied.*

### OFFICES - AUSTRALIA

NSW - Sydney (Head Office)  
Tel: +61 2 9898 8600  
QLD - Brisbane  
Tel: +61 7 3299 9900  
VIC/TAS - Melbourne  
Tel: +61 3 9764 1211  
WA - Perth  
Tel: +61 8 9273 1900  
SA/NT - Adelaide  
Tel: +61 8 8244 6000  
ACT Distribution  
Tel: +61 2 6280 6476

### OFFICES - OVERSEAS

Waterco (Europe) Limited  
Sittingbourne, Kent, UK  
Tel: +44 (0) 1795 521 733  
Waterco (USA) Inc  
Augusta, Georgia, USA  
Tel: +1 706 793 7291  
Waterco Canada  
Boucherville, Quebec, Canada  
Tel: +1 450 748 1421  
Waterco (NZ) Limited  
Auckland, New Zealand  
Tel: +64 9 525 7570

Waterco (C) Limited  
Guangzhou, China  
Tel: +86 20 3222 2180

Waterco (Far East) Sdn Bhd  
Selangor, Malaysia  
Tel: +60 3 6145 6000

PT Waterco Indonesia  
Jakarta, Indonesia  
Tel: +62 21 4585 1481

Waterco Singapore Intl Pte Ltd  
Nehsons Building, Singapore  
Tel: +65 6344 2378

DISTRIBUTED BY:

**WATERCO**  
water, the liquid of life



**SPASA**  
AUSTRALIAN MEMBER