

Installation, Operation Instructions & Warranty Booklet



⚠ WARNING

SAFETY INSTRUCTIONS: - Read Prior to Using Swimkleen 2 Suction Pool Cleaner.

SUCTION HAZARD:

- When the Swimkleen 2 pool cleaner is connected to the pool suction, keep it away from body parts.

CHILDREN OPERATING RISK:

- Recommended for adult use only.
- Never allow children to use the Swimkleen 2 pool cleaner.
- Do not allow swimmers in the pool when Swimkleen 2 cleaner is operating.
- When Swimkleen 2 is not in use store out of the reach of children.

Table of Contents

PREPARING YOUR POOL	01
ASSEMBLING THE SWIMKLEEN 2 POOL CLEANER	01
INSTALLING THE SWIMKLEEN 2 POOL CLEANER	06
GENERAL SWIMKLEEN 2 POOL CLEANER MAINTENANCE	07
IMPORTANT SWIMKLEEN 2 POOL CLEANER WEAR & TEAR DETAILS	07
SWIMKLEEN 2 POOL CLEANER TROUBLE SHOOTING	08
WARRANTY	10

PREPARING YOUR POOL

Before you assemble and install your new Swimkleen 2 pool cleaner, we strongly recommend you carry out the following steps to ensure your pool is ready for the Swimkleen 2 pool cleaner to operate.

1. Make sure the chemical balance of your pool water is correct.
2. Brush your pool and let any debris settle.
3. Clean your pool filter, skimmer basket and pump strainer basket.
4. Adjust the pool water returns so the water flow is directed downward to ensure complete cleaning of your pool. The flow of water from the return line(s) can affect the performance of your Swimkleen 2 pool cleaner, as it can divert the Swimkleen 2 pool cleaner away from certain areas, or cause it to stay in one section of the pool.

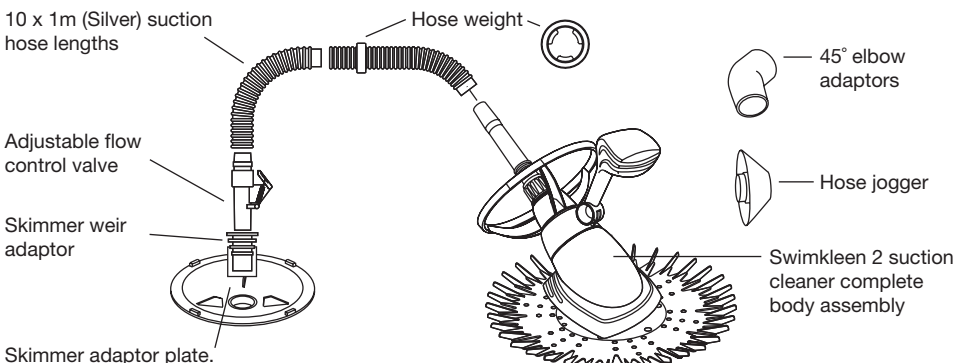
To turn the flow downward simply:

- Turn the eyeball, so the flow is directed downward.

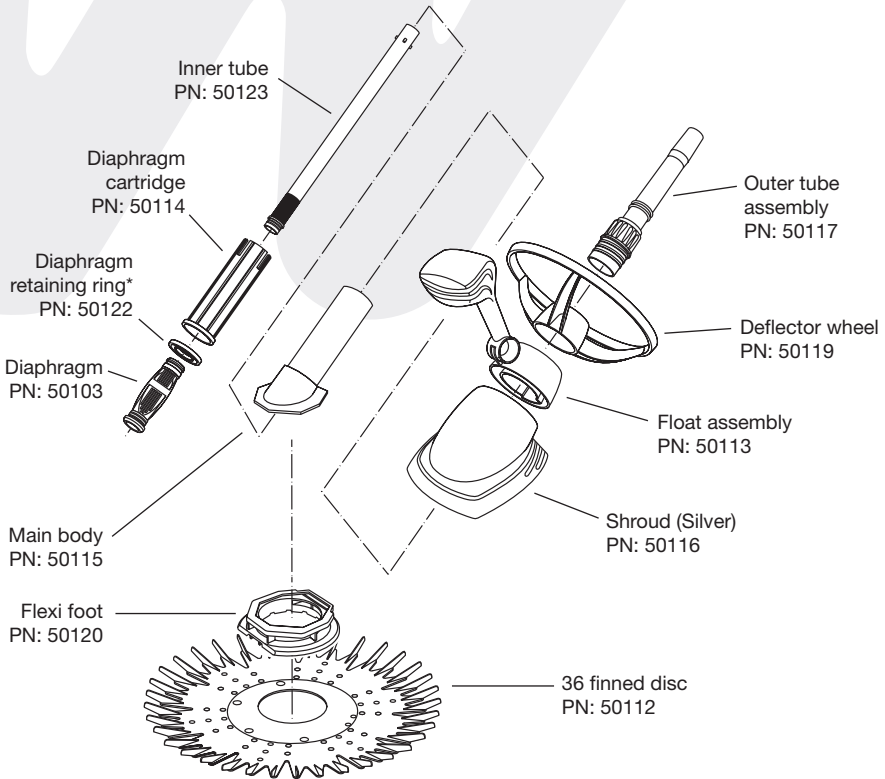
ASSEMBLING THE SWIMKLEEN 2 POOL CLEANER

Check Contents

1. Remove the cleaner body and all other parts from the carton and check all components are included.
 - 1 x Swimkleen 2 suction cleaner complete body assembly.
 - 10 x 1m (Silver) suction hose lengths.
 - 1 x Adjustable flow control valve.
 - 1 x Skimmer weir adaptor.
 - 2 x 45° elbow adaptors.
 - 1 x Hose weight.
 - 1 x Hose jogger.
 - 1x Comprehensive instruction, operating & warranty booklet.



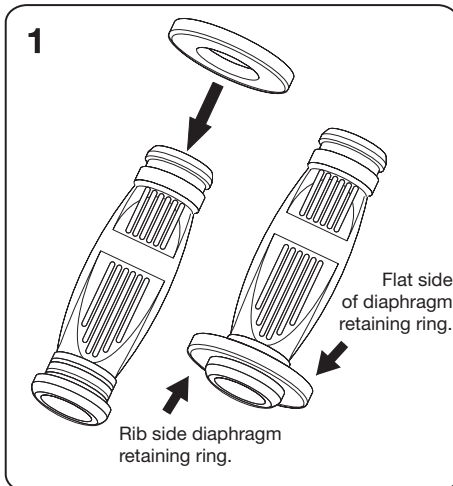
Spare Parts



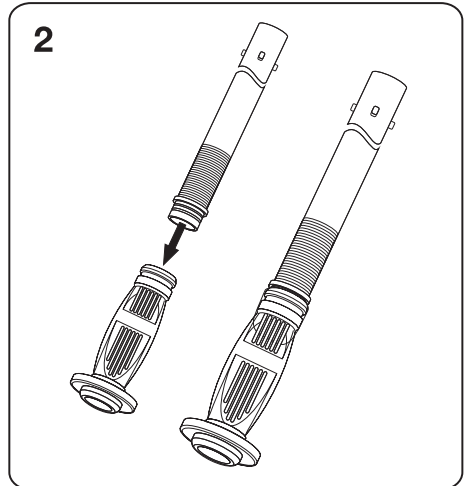
* Note:

The diaphragm retaining ring is flat on one side and has moulded ribs on the other side. The flat side of the retaining ring must be installed with the diaphragm, facing into the diaphragm cartridge. Refer diaphragm installation Image 1, page 3.

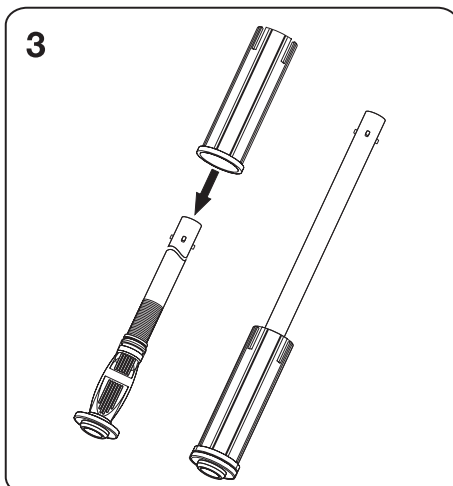
Diaphragm Installation



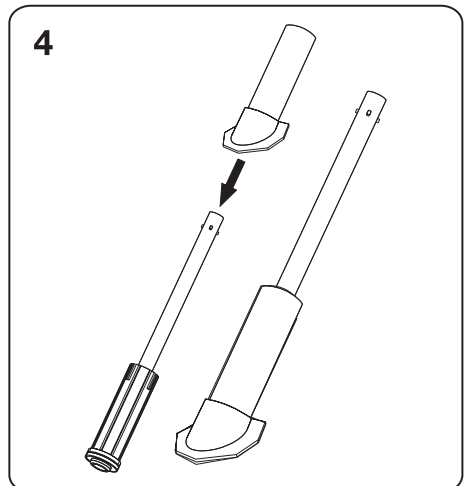
Place Diaphragm retaining ring over one end of the Swimkleen 2 diaphragm. Ensure the retaining ring is properly secured into the locating groove of the diaphragm.



Insert the cleaner's inner tube into the opposite end of the diaphragm that has retaining ring fitted.



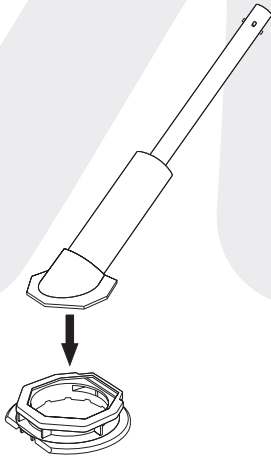
Place the diaphragm cartridge over the top of the cleaner inner tube with the larger opening to the diaphragm and retaining ring and slide down the inner tube and ensure the retaining ring is properly secured into the cartridge. Note: Ensure the diaphragm is not twisted once installed into diaphragm cartridge.



Insert the diaphragm, retaining ring and inner tube assembly into the main body and ensure the diaphragm cartridge is pushed fully into main body. The diaphragm is assembled ready for the remaining Swimkleen 2 components to be assembled.

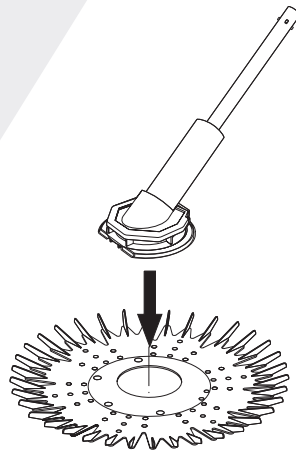
Assembly

1



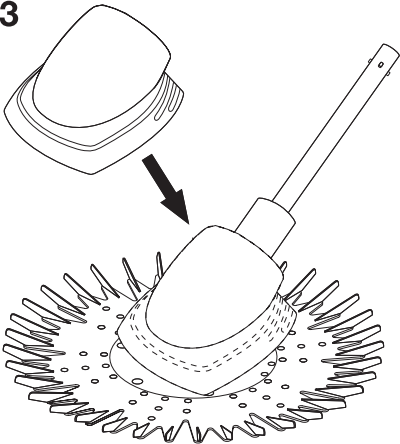
Fit flexi foot pad to cleaner main body ensuring the main body lower flange is properly secured into the flexi foot locating groove.

2



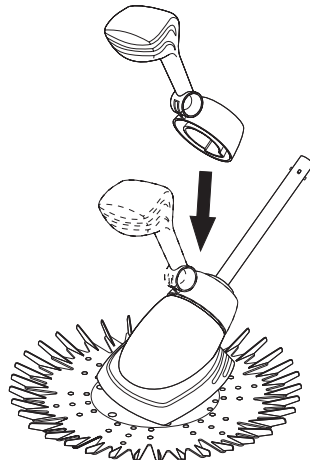
Place the inner lip of the fine disc onto the flexi foot pad and peel over until disc is secure between the flange and lip of the flexi foot pad. The fins of the disc and the word "TOP" should face the cleaner main body.

3

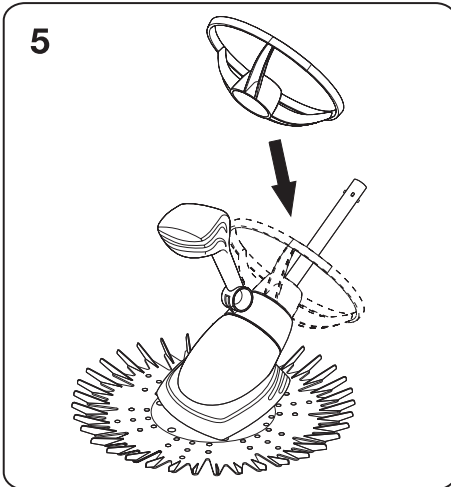


Place the cleaner shroud (Silver) over the inner tube and slide down onto the main body. The main body has a location key that needs to align with a groove within the shroud. This ensures the shroud is installed correctly.

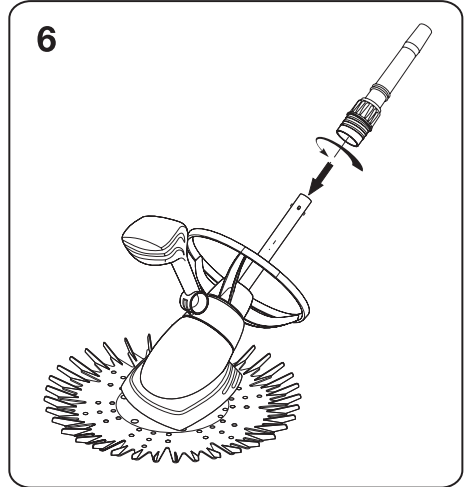
4



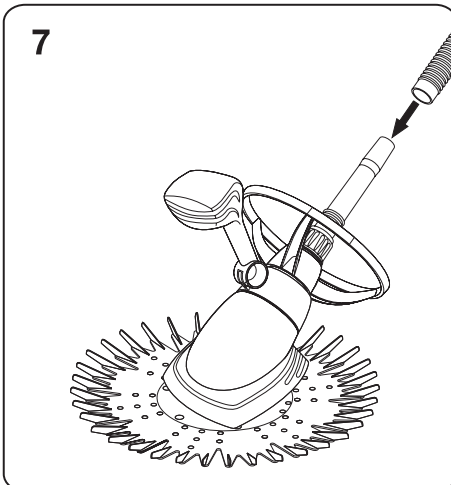
Place the cleaner float assembly over the inner tube and on top of the shroud. This also needs to be aligned to the main body location key.



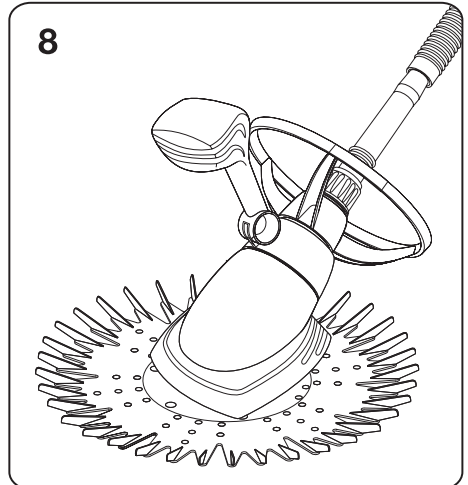
Slide the cleaner deflector wheel over the inner tube until located on top of the float assembly. The deflector wheel does not align with the locating key on the main body and is able to spin freely on the top section of the main body.



Slide the outer tube assembly down the inner tube and screw the hand nut into place as this will secure the deflector wheel.



Connect sufficient lengths of cleaner hose to cover the distance from the pool skimmer box to the furthest point of your pool, plus one length.



Congratulations your Swimklean 2 pool cleaner is ready for installation into your pool.

INSTALLING THE SWIMKLEEN 2 POOL CLEANER

1. Connect the Swimkleen 2 pool cleaner to your hoses. Remember sufficient hose should be installed for the hose to reach the furthest place from the skimmer box plus one length of hose.
2. Gently place the Swimkleen 2 pool cleaner in the water, this will let the unit gradually release air and sink to the pool floor.
3. To enable all the air escapes from the Swimkleen 2 pool cleaner, place the last pipe on your return water inlet while your pool pump is running to fill the hoses and Swimkleen 2 pool cleaner with water and allow it to sink.
4. Attach the Adjustable control valve to the weir, with arrow in direction of water flow, use weir adapter in skimmer plate and attach elbow supplied between adapter and control valve.
5. Attach the free end of the pool hose to the free end of the adjustable valve.
6. Adjust the control valve between settings 1 and 4.
7. Switch on the pump and the Swimkleen 2 pool cleaner will start to operate.

⚠ WARNING

- **DO NOT DETACH POOL CLEANER WHILE PUMP IS RUNNING**

TIP: Backwash or clean filter, clear skimmer box & pump basket before operating your new Swimkleen 2 pool cleaner.

Tip: Backwashing and cleaning the skimmer basket, skimmer sock and pump basket should be done weekly.

GENERAL SWIMKLEEN 2 POOL CLEANER MAINTENANCE

1. To ensure optimum performance of your Swimkleen 2 pool cleaner, keep your skimmer box weir and pump baskets clean.
2. Backwash and rinse your sand filter or cartridge filter regularly. As a dirty filter or the filter sand is older than 2 years the water flow through the filter may be poor, thus affecting the pool cleaner. It is recommended to backwash a sand filter every 7 to 10 days.
3. Pool filter sand should also be changed every two years.
4. The Swimkleen 2 pool cleaner may fade in colour over time; this is increased by excessive chemical usage and incorrect alkalinity and pH levels. When you "CHLORINE" shock your pool remove the pool cleaner for at least 4 hours. Do not dump large amounts of coarse pool salt into the pool when the cleaner is operating, allow salt to dissolve completely, first.
5. When the Swimkleen 2 cleaner diaphragm gets stretched it can be readjusted by unscrewing the outer pipe, removing the inner pipe and pulling the diaphragm forward into the diaphragm plate.
6. Setting control valve too fast i.e. too much suction can stretch & damage the diaphragm, depending on the pump size set suction so the suction cleaner moves 2.5m to 3m per minute. If there is excessive suction, a suction cleaner hoses can make a great deal water turbulence.

IMPORTANT SWIMKLEEN 2 POOL CLEANER WEAR & TEAR DETAILS

1. Ensure the Swimkleen 2 pool cleaner disc, foot pad; deflector ring and diaphragm are in good condition. If these items get smooth, shiny or break the pool cleaner will not work properly.

NOTE: Your Swimkleen 2 pool cleaner has a float arm, never remove the cleaner from the pool by lifting it by the float arm as this will break and is not a warranty item, and only remove a suction cleaner from a pool by holding onto main upper tube.

2. The deflector ring and possibly the weight chamber will wear as these parts are in contact with the pool walls, step and corners.
3. The diaphragm should be inspected regularly, and when stretched can be re-adjusted or replaced.
4. The Swimkleen cleaner hose will also rub against the wall, in the normal course of use and should be inspected for excessive wear regularly.
5. A suction cleaner hose should be straight and flexible, if it become rigid and bent, place in a straight position in the sun for a few hours or replace.

TIP: When replacing the diaphragm or any other part of your Swimkleen 2 pool cleaner it is recommended that you let your local pool dealer carry out these repairs.

SWIMKLEEN 2 POOL CLEANER TROUBLE SHOOTING

If you have problems operating your Swimkleen 2 Pool Cleaner, please refer to the following general options.

Swimkleen 2 Pool Cleaner Will Not Move or Moving Slowly:

1. Ensure that there is no debris caught in the cleaner diaphragm, or lodged in the hoses between the cleaner & skimmer basket.
2. Ensure that your pool sand filter has been backwashed and rinsed recently.
3. Ensure that your skimmer and pump baskets are not full of debris. Also, skimmer plate has only one hole for the adapter plug & plate seals are in good conditions.
4. Ensure there are no leaks in the hoses, pump lids or “o”-rings on pump lid.
5. Ensure that there are no suction leaks between your pump and skimmer box. Suction leaks are characterised by poor suction, bubbles returning via the eyeball return in the wall. If you have any of these symptoms contact a pool maintenance professional.

Swimkleen 2 Pool Cleaner Runs Then Stops:

1. Refer to points under “Does not move or moves slowly”.
2. Outer tube assembly may be worn out.
3. Filter sand may need to be changed or cleaned. To check this put the filter on “Bypass” if it works there may be a filter problem.
4. Pump suction may be too strong, causing the cleaner to stick to the floor. To rectify, review the flow through cleaner by adjusting the flow control valve so the gate opens more easily to bypass water. Normal setting is between 2 and 4.

Swimkleen 2 Pool Cleaner Will Not Sink:

1. Ensure there is no trapped air in the cleaner or hoses.

Swimkleen 2 Pool Cleaner Fall on its Side:

1. If the cleaner has a float, it may be filled with water.
2. The Outer tube assembly is jammed and won't swivel.

Swimkleen 2 Pool Cleaner Gets Stuck in One Location:

1. Adjust the hose length by adding or removing a hose.
2. Ensure that the eyeball return flow is not interfering with the normal cleaner movement. If so, adjust eyeball return nozzle to direct the flow away from the cleaner.

NOTE: The Swimkleen 2 includes a small blue plastic cone (jogger) that can be easily and simple fitted to either the first or second hose length from the Swimkleen 2 and this can help in preventing the Swimkleen 2 from being stuck in some locations of a pool. The jogger is fitted to the 1M suction hose with open cone facing the Swimkleen 2 cleaner and the taper facing the 1M suction connection to the pool skimmer box.

Swimkleen 2 Pool Cleaner Does Not Climb the Wall:

1. Ensure the skimmer basket is free of any debris. In fibreglass pools check that PH level is 7.2 to 7.8.
2. Adjust the Control valve to a higher setting.
3. Sand may need to be changed or back washed.

Swimkleen 2 Pool Cleaner Climbs out of Pool:

1. Ensure the Control valve is free of debris and not jammed shut.
2. Set Control valve to a lower setting to divert more water.

Swimkleen 2 Pool Cleaner Moving In a Set Pattern:

1. Ensure hoses are in a good flexible condition and not coiled.
2. Ensure water flowing through return eyeballs is not being channeled so as to create a current in the pool water that in turn forces the machine into a set operating pattern.

WARRANTY

Important note: you may have additional rights under warranties mandated by the Trade Practices Act or similar legislation.

PLEASE READ

1. These terms and conditions carefully, as failure to comply may affect your legal rights under this warranty; and
2. Any operation instructions carefully before commencing use of any product manufactured by Waterco Limited ("Waterco").

WARRANTY COVER

If a defect occurs in any Waterco product, Waterco will at its discretion, repair the product or replace and install the defective part, free of charge provided that the defect results solely from poor workmanship or materials and subject to these terms and conditions.

Labour is covered by this warranty for a period of 12 months from the date of purchase or installation, within a 25 km radius of an authorised Waterco Service Agent.

The purchaser is responsible for any freight incurred.

Warranties are valid only within the original country of purchase.

Our goods come with guarantees that cannot be excluded under the Australian Consumer Law. You are entitled to a replacement or refund for a major failure and compensation for any other reasonably foreseeable loss or damage. You are also entitled to have the goods repaired or replaced if goods fail to be of acceptable quality and the failure does not amount to a major failure

WARRANTY PERIOD

Waterco warrants the Swimkleen main body to be free of any defects in materials and workmanship for a period of 2 years. The cleaner hoses have 2 years warranty against material defect.

The provisions of this warranty are not transferable and are in addition to and not in modification of or subtraction from any applicable statutory warranties, rights or remedies.

CONDITIONS OF WARRANTY

This warranty only applies where:

1. The products have been installed and operated in accordance with written instructions supplied by Waterco.
2. The purchaser is able to provide proof of purchase that specifies the date of purchase;
3. The product has been serviced or maintained regularly. (at least once a month).

Any pool and spa equipment has been used in water:

1. With a temperature not exceeding 40 degrees Celsius;
2. With a pH range maintained between 7.2 – 7.6;
3. That has been chemically balanced in accordance with the Langelier saturation index within arrange of -0.2 to + 0.2 to ensure that it is not corrosive or scale forming;
4. That is not salt water (other than mild saline water conditions which are compatible with swimming pool salt water chlorination systems) – unless otherwise stated by Waterco in both the respective product labels and brochures that it is suitable for seawater applications; and
5. That has been regularly treated with a sanitizing system using bromine, chlorine in one of its compound forms, or generated in-situ, in concentrations (doses) recommended by the relative state or territory health departments. (In areas outside of Australia please refer to the local health department recommendations before use);

All repairs and replacements shall be carried out by Waterco or its authorized service dealer, unless otherwise authorised in writing by Waterco.

If an authorized service dealer is not available within 25 km of the purchaser's area:

- The purchaser must contact the place of purchase or Waterco for further instructions and;
- The purchaser is responsible for any freight or infield labour costs.

EXCLUSIONS

This warranty does not cover, and Waterco will not be responsible for, any defect or damage caused or contributed to by:

- (a) installation or use of the product other than in accordance with Waterco's written instructions, any statutory requirements and these terms and conditions;
- (b) use of the product for a purpose other than for which it was designed or sold;
- (c) abuse, misuse, corrosion, internal and external, or normal wear and tear;
- (d) any repairs or modifications whatsoever carried out by any person, other than a Waterco authorised service dealer;
- (e) exposure to water not caused by a defect in the product; and
- (f) transit of the product over which Waterco has no control.

To the extent permitted by law Waterco excludes all liability it may have to the purchaser for indirect, special or consequential loss arising from or related to any defect in any Waterco product, or any act or omission of Waterco, including, but not limited to, loss of business, loss of profit, loss of revenue, lost opportunity, inconvenience, and damage to any property other than the Waterco product.

Waterco excludes all other conditions, warranties, liabilities or representations which might, but for these terms and conditions, be implied by law or otherwise. These terms and conditions do not exclude or modify any implied condition or warranty, or any liability imposed on Waterco by any law (including the Trade Practices Act), if to do so would contravene that law or make any part of these terms and conditions void.

To the extent permitted by law, Waterco excludes all conditions and warranties implied into these terms and conditions and limits its liability for breach of any such condition or warranty that it cannot exclude to the greater of (at Waterco's option);

(a) for goods:

- Repairing or replacing those goods; or
- Paying the cost of having those goods repaired or replaced; and

(b) for services:

- Resupplying the services; or
- Paying the cost of having those services resupplied.

GENERAL

The chemical balance of the water is a relationship between total alkalinity, pH, Calcium hardness and temperature. Waterco recommends that you have your water tested regularly by your local pool professional. A record of testing should always be kept for reference.

Some jurisdictions do not allow the exclusion or limitation of incidental or consequential damages, so any such limitation may not apply.

This warranty gives specific legal rights. The purchaser may have other rights depending on the jurisdiction in which the Waterco product was purchased or the purchaser is located.

Product	Warranty	Warranty Exclusions
Swimkleen 2 Main Body Includes : Inner tube, outer tube, central body & base, hose weight, 45° elbows, weir adaptor & flow control valve.	2 Years	1. Leaving cleaner in direct sunlight & out of water. 2. Human intervention damaging the cleaner. 3. Normal wear & tear. 4. Colour fading due to the sun. 5. Water chemistry out of normal range
1M Cleaner Hose Includes : Unravelling & cuff detaching from hose.	2 Years	1. Abrasion, wear & tear or direct sun damage.
Components Includes : Flexifoot, 36 finned disk, deflector wheel, diaphragm & float arm pivot.	1 Year	1. Lifting cleaner out of the pool water by the float assembly. 2. Perforated diaphragm as a result of stones lodging in diaphragm, bottle caps/tops, screws, sharp twigs/branches or any sharp objects.

Warranty Limitations:

The provisions of this warranty are not transferable from the original purchaser and are in addition to and not in modification of or subtraction from any applicable statutory warranties, rights or remedies.

Labour is covered by this warranty for a period of 12 months from the date of purchase or installation, within a 25 km radius of an authorized Waterco Service Agent.

Spare parts used in the repair of products are covered by a 12 month warranty and are not covered by the original warranty from date of purchase or installation.

The purchaser is responsible for any freight incurred.

NOTE: Most pool cleaner problems are caused by incorrect installation, poor water chemistry and wear and tear. Please regularly check the condition of Swimkleen flexi foot pad & finned disk, as these are like the tyres on a car & need replacement from time to time.

OFFICES - AUSTRALIA

NSW - SYDNEY
(HEAD OFFICE)
Tel: +61 2 9898 8600

QLD - BRISBANE
Tel: +61 7 3299 9900

VIC/TAS - MELBOURNE
Tel: +61 3 9764 1211

WA - PERTH
Tel: +61 8 9273 1900

SA/NT - ADELAIDE
Tel: +61 8 8244 6000

ACT DISTRIBUTION
Tel: +61 2 6280 6476

OFFICES - OVERSEAS

WATERCO (EUROPE) LIMITED
Sittingbourne, Kent, UK
Tel: +44 (0) 1795 521 733

WATERCO FRANCE
Saint Priest, France
Tel: +33 4 72 79 33 30

WATERCO (USA) INC
Augusta, Georgia, USA
Tel: +1 706 793 7291

WATERCO CANADA
Longueuil, Quebec, Canada
Tel: +1 450 748 1421

WATERCO (NZ) LIMITED
Auckland, New Zealand
Tel: +64 9 525 7570

WATERCO © LIMITED
Guangzhou, China
Tel: +86 20 3222 2180

WATERCO (FAR EAST) SDN BHD
Selangor, Malaysia
Tel: +60 3 6145 6000

PT WATERCO INDONESIA
Jakarta, Indonesia
Tel: +62 21 4585 1481

WATERCO SINGAPORE INTL PTE LTD
Nehsons Building, Singapore
Tel: +65 6344 2378

WATERCO

Waterco Limited ABN 62 002 070 733

