

# ELECTROHEAT ULTRA Models 16kW & 22kW Single Phase

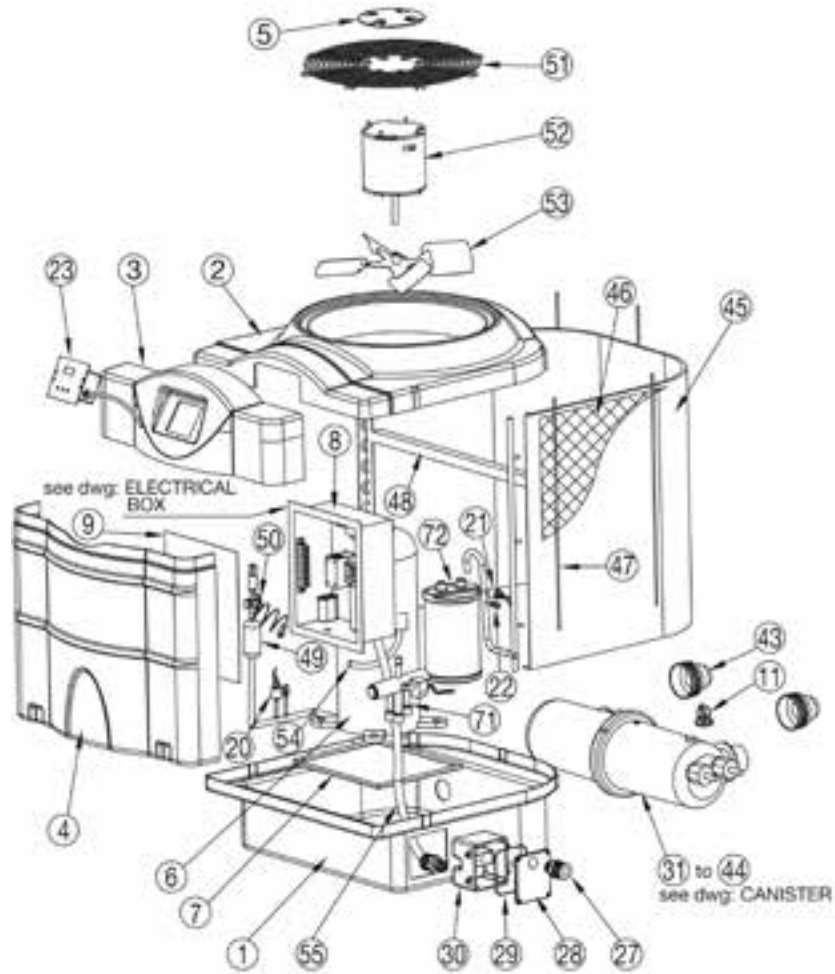
R410 Manufactured since Jan 2011 to date

\* Important: Please identify the appropriate part number related to the manufacturing date

| Part Number            | Product Description                                    | Diagram Number |
|------------------------|--|----------------|
| 69201524               | Ventilation Cap  | 5              |
| 69101074DS             | Compressor Scroll 4, 5 hp R410A (16KW)                 | 6              |
| 69101076DS             | Compressor Scroll 6 hp R410A (22KW)                    | 6              |
| 69101074SA             | Compressor Scroll 4.5 hp R410A (19KW)                  |                |
| 69101076DS             | Compressor Scroll 6 hp R410A (23KW)                    |                |
| <b>ELECTRICAL BOX</b>  |  |                |
| 69501103               | 5 mf - 370 VAC   | 10             |
| 69401006V              | Pressure switch  | 11             |
| 69501008               | Contactora   | 12             |
| 69400001               | Transformer  | 13             |
| 69400002               | Fan Relay 24 V   | 14             |
| 69501017               | Run Capacitor 60 mf - 440 VAC (16KW)                   | 15             |
| 69501106               | Run Capacitor 55 mf - 440 VAC (22KW)                   | 15             |
| 69501119               | Start Assist (22KW)                                    | 19             |
| <b>SWITCH</b>          |  |                |
| 69401034V              | 565 - 400 PSI Flare R410A                              | 20             |
| 69401033V              | 55 - 75 PSI Flare R410A                                | 21             |
| 69101311               | Acces Valve Schrader 5/16"                             | 22             |
| <b>CONTROLLER</b>      |  |                |
| 69401036               | Control Assembly - multi functions                     | 23             |
| <b>HEAT EXCHANGER</b>  |  |                |
| 69101223               | 24' Large Align (55)                                   | 33             |
| 69101225               | 16' Small Opposite - In (Right) 22KW                   | 35             |
| 69101226               | 16' Small Opposite - Out (Left) 22KW                   | 36             |
| 122243B                | 40mm Half Union c/w O Ring Black                       | 43             |
| 69051362               | Connecting Tube PVC                                    | 44             |
| 69101236M              | Heat Exchanger 56' Large With Double Coil (19KW, 23KW) |                |
| <b>FILTER DRYER</b>    |  |                |
| 69101340               | Bi-Flow ½" ODF 5 Tons                                  | 49             |
| <b>EXPANSION VALVE</b> |  |                |
| 69101381               | Expansion Valve 4 Ton R410A                            | 50             |
| <b>FAN GUARD</b>       |  |                |
| 69601103               | Round Medium (16KW)                                    | 51             |
| 69601104               | Round Large (22KW)                                     | 51             |
| <b>FAN MOTOR</b>       |  |                |
| 69301006               | 1/6 hp 900/1075 RPM (16KW)                             | 52             |
| 69301004               | 1/4 hp 900 RPM (22KW)                                  | 52             |
| <b>FAN BLADES</b>      |  |                |
| 69301106               | Fan Blades 20" (16KW)                                  | 53             |
| 69301107               | Fan Blades 22" (22KW)                                  | 53             |
| <b>CANISTER</b>        |  |                |
| 69201359               | Plastic Clamp Band (one piece)                         | 64             |
| 69801504               | Rubber O Ring  | 65             |
| 69201300               | Cable Gland ¾ NPT                                      | 66             |
| 69201358               | Hose Nipple Fitting                                    | 67             |
| 69201357               | Hose Nipple O Ring                                     | 67             |
| 69201319               | Thermostat Well 67.5 mm                                | 68             |
| 69201320               | Thermostat Well O Ring                                 | 68             |
| <b>OTHERS</b>          |  |                |
| 69501205               | Light Indicator  | 70             |
| 69101362               | 4 Way Reversing Valve                                  | 71             |
| 69101501               | Suction Line Accumulator                               | 72             |
| 69401379               | Reversing Valve Assy Ultra (19KW, 23KW)                |                |
| 69401006V              | Flow Pressure Switch Adjustable (19KW)                 |                |
| 69301023               | Fan Motor 45W  |                |
| 69301116               | Fan Blades 18"   |                |
| 69601131               | Fan Guard  |                |
| 69402000               | Heat Pump Control Assy w Diagnostics                   |                |
| 69401036               | Heat Pump Control Assy Reversing w Diagnostics         |                |
| 69201531               | Escutcheon Assy - Black                                |                |
| 69401030               | Defrost Sensor Probe - Yellow                          |                |
| 69401031               | Water Temperature Sensor Probe - Black                 |                |
| 69201940               | Base Panel - Black                                     |                |

# ELECTROHEAT ULTRA Models 16kW & 22kW Single Phase (continue)

| Part Number | Product Description | Diagram Number |
|-------------|---------------------|----------------|
| 69201942    | Top Panel - Black   |                |
| 69601117    | Support Rod - Small |                |



**Electrical Box**  
(all models)

**Canister Assembly**  
(all models)

